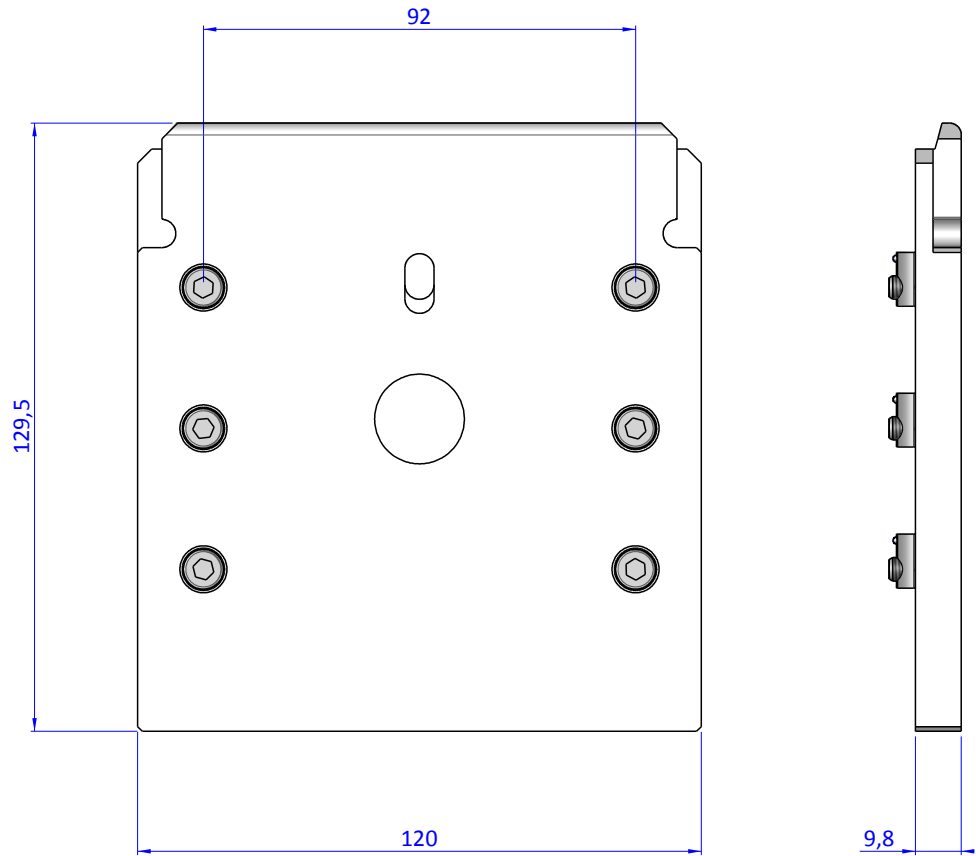
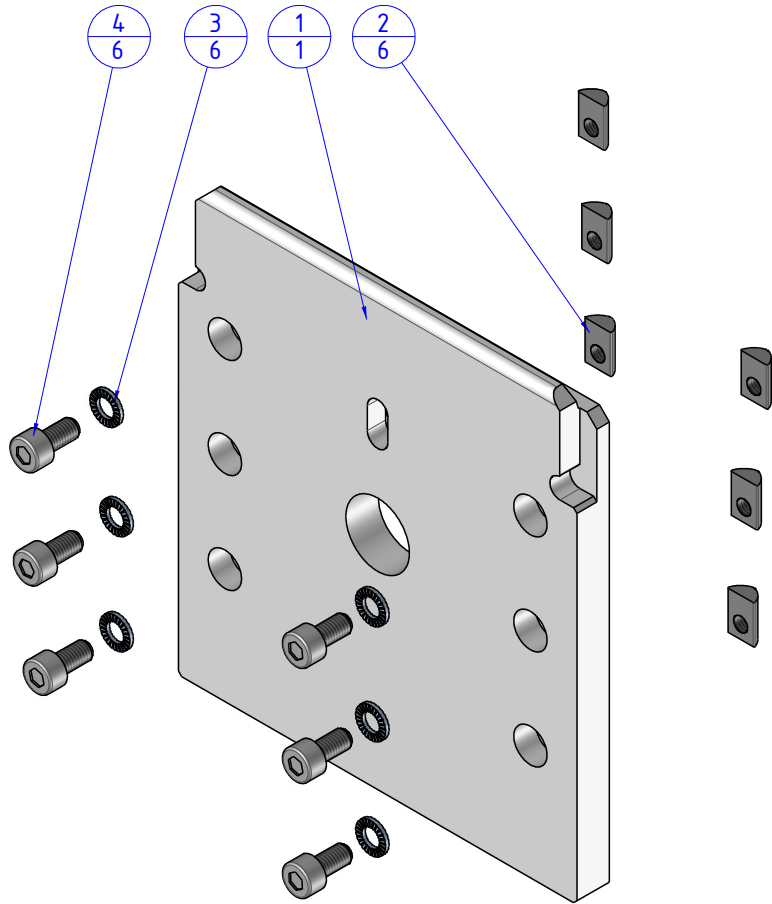


THE PROPERTY OF THE DRAWING IS ESTABLISHED BY LAW. IT IS FORBIDDEN TO PRODUCE OR SHOW IT TO THIRD PARTY, WITHOUT A WRITTEN AGREEMENT.

| Item | Name | Q.ty |
|------|---------------|------|
| 1 | CA.01.02.004A | 1 |
| 2 | CA.02.05.003 | 6 |
| 3 | R.5.SCH | 6 |
| 4 | V.TCE5x10 | 6 |



Format A3

UNI 936-76

| | | | | |
|-------------------|--|----------------|---------|-----------------|
| | | DESIGNED FROM | | REVIEW |
| | | FPS Automation | | A |
| GENERAL TOLERANCE | | DATE | WEIGHT | |
| UNI - ISO 2768 | | 01/08/2019 | 0,405kg | |
| CLASSE f | | CODE | | CA.01.02.004A.5 |
| | | | | CA.01.02.004A.5 |